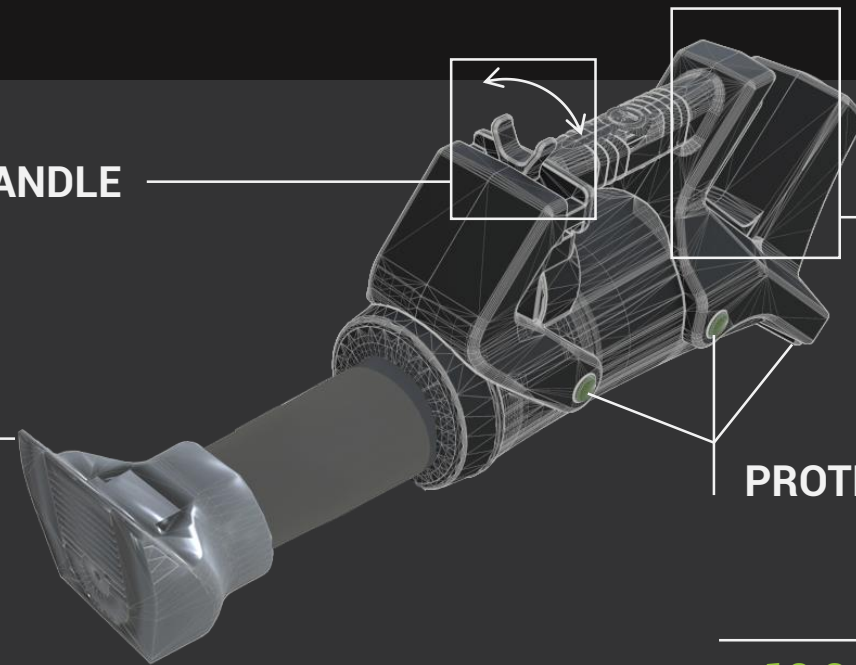


DOOR OPENER AP140



EASE OF USE OF THE CONTROL HANDLE

SPECIAL THIN GRIP FOR EASY INSERTION



UNIQUE BATTERY PROTECTION

PROTECTION PADS

12,3 Kg

LARGE OPENING 140 MM

DOOR OPENER AP140



The door opener AP140 is very useful for any door openings (metallic or not).

It is also **very light, compact** and therefore easy to manipulate by one operator.





AUTONOMY

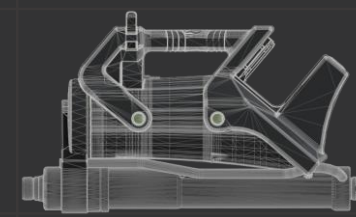
- ▶ Long operating time thanks to 5.0 Ah 28V capacity Li-ion battery
- ▶ Same battery fits all tools
- ▶ Batteries available at any Milwaukee dealer throughout the world

ROBUST

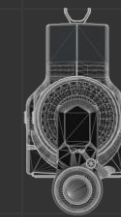
- ▶ Fiber reinforced housing fitted with pads for hardest use
- ▶ Special housing design for extra battery protection

ERGONOMY

- ▶ Lightweight and balanced tool
- ▶ Special control handle for fine tuning and ease of use
- ▶ Non slip handle grip for solid tool utilization
- ▶ Intuitive ON/OFF switch with incorporated light

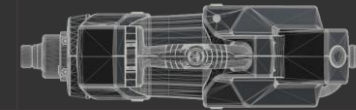


574 mm



170 mm

246 mm



TECHNICAL CHARACTERISTICS

| | |
|------------------------|--------------------|
| Stroke | 140 mm |
| Pushing force | 105 Kn |
| Weight without battery | 12.3 kg |
| L x l x H | 574 X 170 X 246 mm |
| Working pressure | 700 bar |